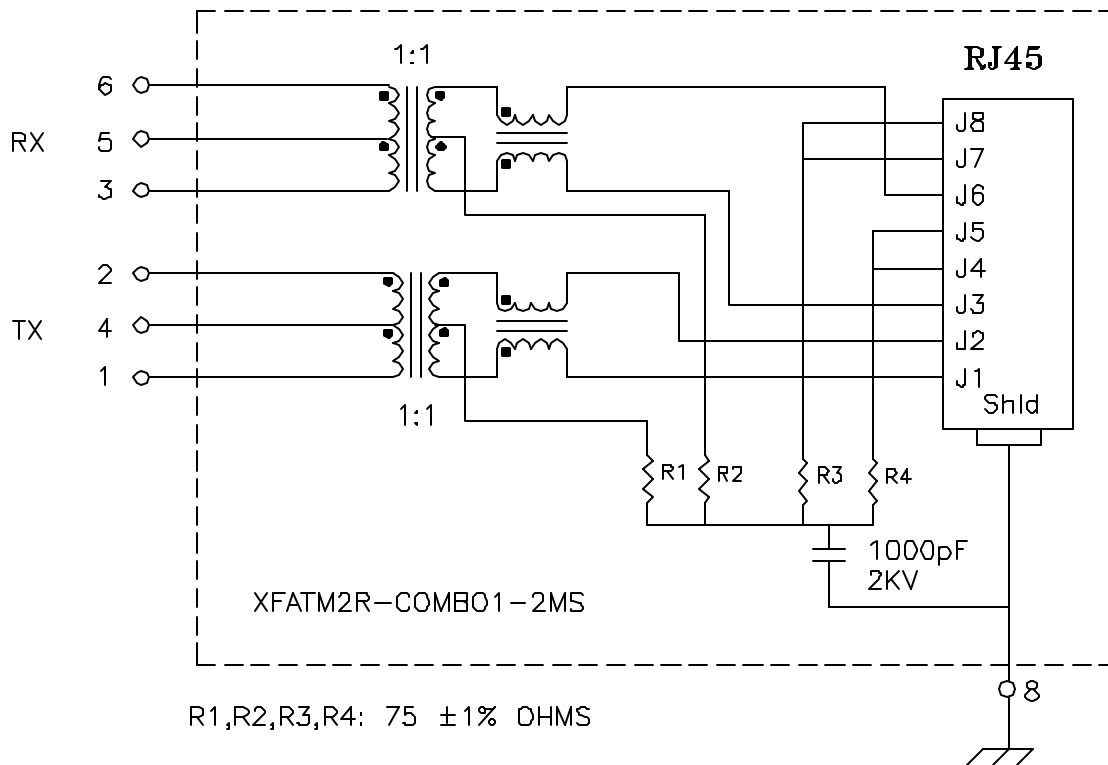


Schematic:



Electrical Specifications: @25°C

Isolation Voltage: 1500 Vac

Isolation Voltage: 500 Vac (1+2+3+4+5+6)

UTP SIDE OCL: 350uH Min @100KHz 100mV 8mADC

Leakage Inductance: P6-P3 0.3uH Max @1MHz 100mV Short J6 and J3

Leakage Inductance: P2-P1 0.3uH Max @1MHz 100mV Short J2 and J1

Cww: (P6, P5, & P3) to (J6 & J3) 30pF Max @1MHz

Cww: (P2, P4, & P1) to (J2 & J1) 30pF Max @1MHz

DCR: (J6-J3) = (J2-J1) 1.2 Ohms Max

Rise Time (10-90%): 2.5ns Typ

Insertion Loss (100KHz-100MHz): -1.2dB Max

Return Loss: -18dB Min @1MHz - 30MHz

Return Loss: -12dB Min @60MHz - 80MHz

Crosstalk: 40dB Typ @1MHz to 100MHz

Common Mode to Differential Mode Rejection:

30MHz-100MHz -35dB Typ (Tx) / -35dB Typ (Rx)

XFMRs Inc.

Title:

SINGLE PORT COMBO

UNLESS OTHERWISE SPECIFIED
TOLERANCES:
.xxx ±0.010
Dimensions in Inch
SHEET 1 OF 2

P/N: XFATM2R-COMBO1-2MS

REV. A

DWN.

BW

Jul-6-00

CHK.

Joe Huff

Jul-6-00

APP.

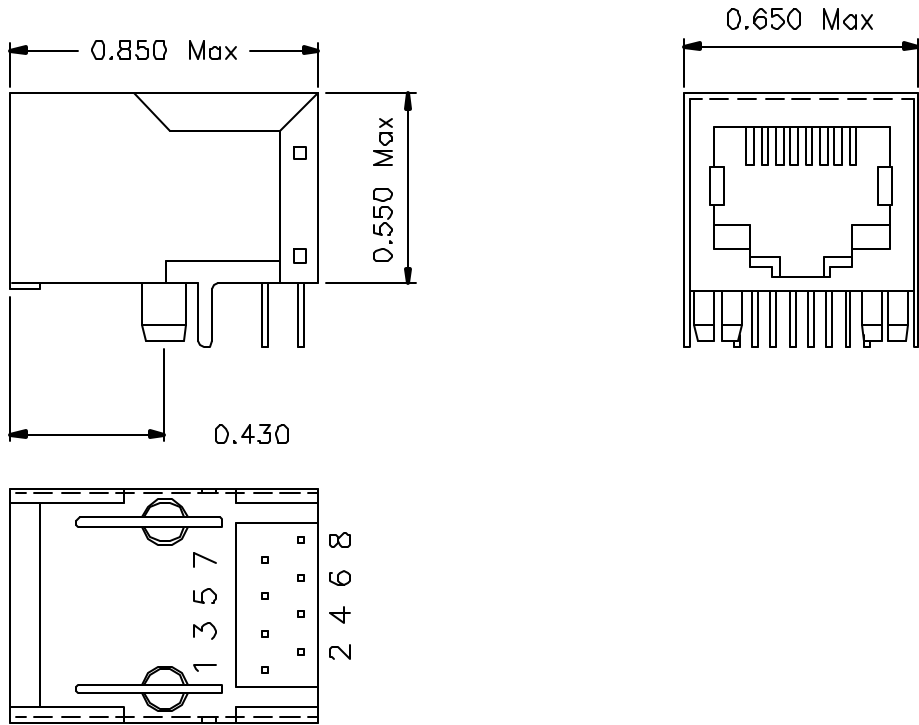
AEI

Jul-6-00

DOC. REV: A/1

Mechanical Dimensions:

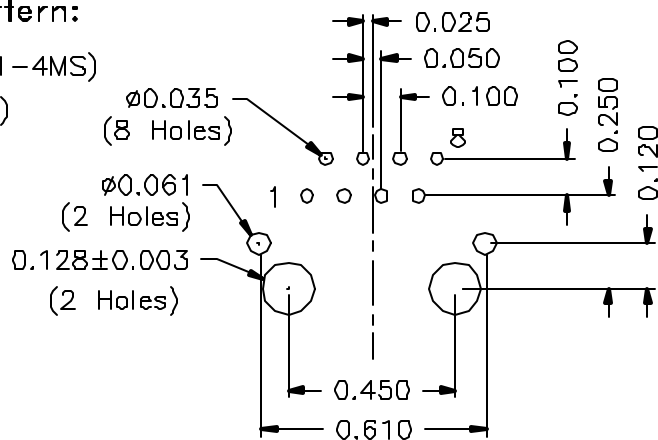
XFMR5
XFATM2R-
COMB01-2MS
YYWW



(BOTTOM VIEW)

Mounting Pattern:

(FOR COMB01-4MS)
(COMP SIDE)



XFMR5 Inc.		Title: Mechanical Dimensions For COMB01-2MS Series	
UNLESS OTHERWISE SPECIFIED TOLERANCES: .xxx ±0.010 Dimensions in Inch	XFATM2R-COMB01-2MS		REV A
	DWN.	BW	Jul-6-00
	CHK.	Joe Huff	Jul-6-00
	APP.	AEI	Jul-6-00
SHEET 2 OF 2			